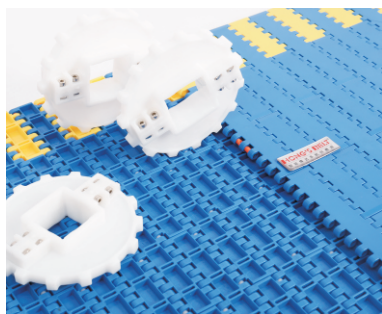
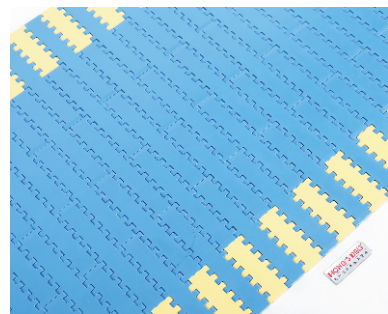
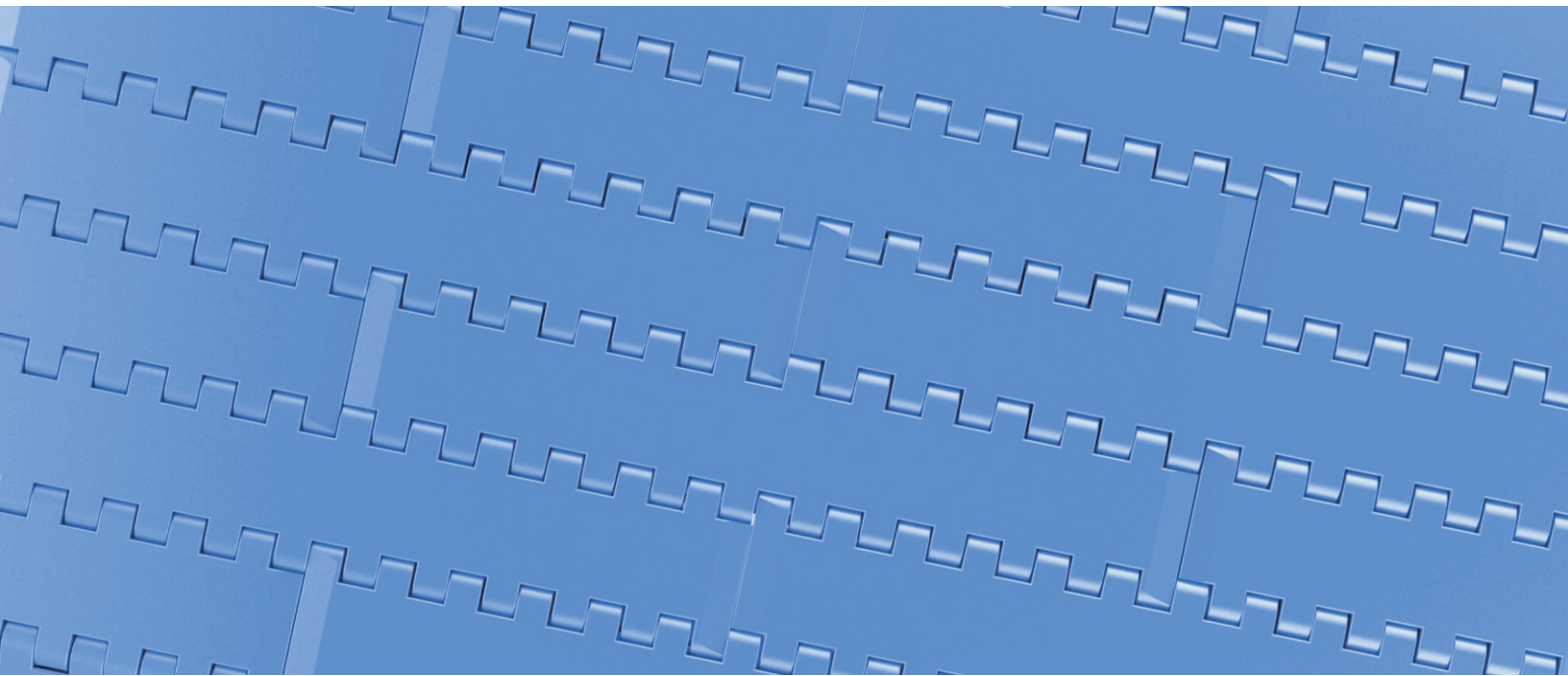


## HS-502A-HD Technical Data Sheet



<p>Pitch: 25.4 mm</p> <p>Minimum Width: 76mm</p> <p>Open Area: 0%</p> <p>Approved: FDA</p> <p>Rod: Ø 4.9mm</p> <p>Flight: Yes</p> <p>Side Guard: No</p> <p>Curve: No</p>	
--------------------------------------------------------------------------------------------------------------------------------------------------------------------------	--

## Data

Belt Material	Belt Strength			Temperature		Belt Weight (Kg/M <sup>2</sup> )
	Straight		Curve	°C (min.)	°C (max.)	
	Kg/M(BW)	N/M(BW)				
Polypropylene	2000	20000	--	1	100	5.4
Acetal	3500	35000	--	- 40	80	8.3
HK	3150	31500	--	- 40	80	7.9

BW – Belt Width

## Color Table

Polypropylene					Polyethylene					Acetal					Nylon				
W	G	N	DB	B	W	G	N	DB	B	W	G	N	DB	B	W	G	N	DB	B
●	●							●					●					●	

W-White, G-Gray, N-Nature, DB-Dark brown, B-Blue

## Friction Table

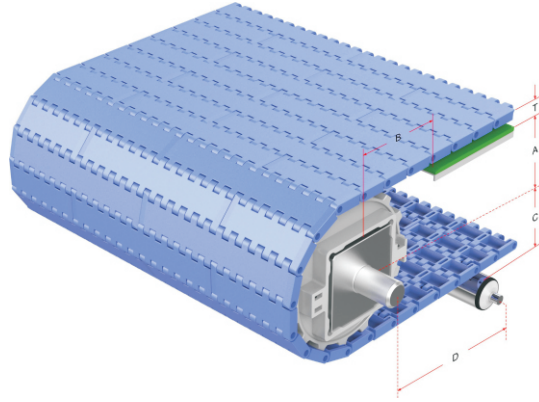
Belt Material	Friction Wear strips & Products							
	UHMW	HDPE	Steel	Glass	SUS	Plastic	Cardboard	Aluminum
Polypropylene	0.32	0.24	0.15	0.09	0.13	0.08	0.15	0.25
Polyethylene	0.13	0.11	0.26	0.19	0.31	0.16	0.21	0.41
Acetal	0.11	0.09	0.27	0.16	0.26	0.15	0.19	0.28
Nylon	0.18	0.13	0.25	0.16	0.26	0.16	0.19	0.27

SUS – Stainless Steel

## Equivalent type with other Brand

Brand Name	Intralox	UNI	Rexnord	MCC	Habasit	KVP
Series & Type	1400	SNB	1005	1000	M2400	610
	1600/1650	CNB	1010		M2500	208
	200	OPB	7700		M2600	
	800/850	L-SNB	6390			

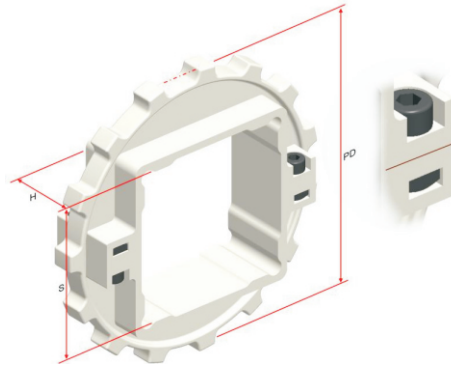
The above content is only for reference.



**Conveyor Frame Dimensions**

Unit : mm

No. Teeth	A ( Min.)	B ( Min.)	C ( Max.)	D ( Min.)	T
10	35.6	50	35.2	200	8.8
12 / 12-Split	43.95	58.35	43.55	200	
15 / 15-Split	56.25	70.65	55.85	200	
18 / 18-Split	68.6	83	68.2	200	
19-Split	72.85	87.25	72.45	200	
24-Split	92.6	107	92.2	250	



**Sprocket Dimensions**

Unit: mm

No. Teeth	PD	S	D	H	K
10	80	--	25.2	25	8X8
12	96.7	38.5/40.5	25.4/38.1/40.5	25	8X8
12-Split	96.7	38.5/40.5	38.1	25	9.52X4.76
15	121.3	38.2/40.2/50.2/60.2/63.5	25.5/35.5/40.5/50.2	29.5	8*8
15-Split	121.3	38.5/40.5/50.5/60.5/63.5/65.5	--	33	--
18	146	38.5/40.5/45.5/50.5/60.5	25.4/50.2	25	14X4
18-Split	146	38.5/40.5/60.5	50.8	35	14X5
19-Split	154.5	38.5/40.5/50.5/60.5/65.5	--	35	--
24-Split	194	60.5/65.5	--	52	--